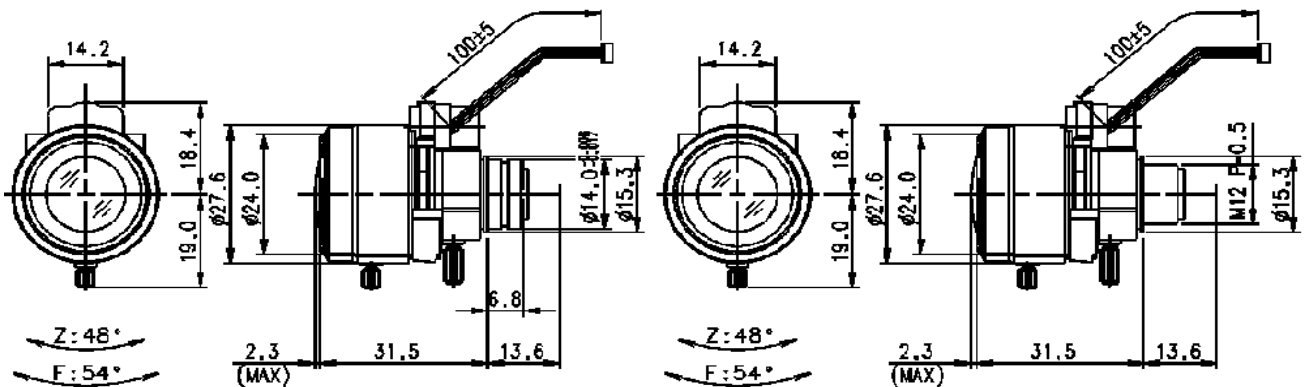


SPECIFICATIONS



			TVID0409-2		
Model No.			TVID0409-2(φ14)		TVID0409-2(M12)
Image Format Cover			1/3" ~ 1/4"		
Focal Length			4.0 ~ 9.0 mm		
Maximum Aperture Ratio			1 : 1.5		
Zoom Ratio			2.25×		
Iris	Control Method		Direct Drive		
	Iris Range		F1.5 ~ 360		
	Speed		* * *		
	Input Voltage & Current		* * *		
	Sensitivity Adjustment		* * *		
Focus	Control Method		Manual		
Zoom	Control Method		Manual		
Angle Field of View (D×H×V)	1/4"	Wide	63.5° × 50.2° × 37.3°		
		Tele	30.1° × 24.1° × 18.0°		
	1/3"	Wide	86.2° × 68.0° × 50.2°		
		Tele	40.2° × 32.1° × 24.1°		
Minimum Object Distance			0.2 m		
Back Focal Length			6.6 ~ 10.8 mm		
Effective Diameter		Front	φ 15.0 mm		
		Rear	φ 7.5 mm		
Filter Screw Size			* * *		
Mount / Flange Back			* * *		
Mechanical Dimension (D×(H)×L)			φ 27.6mm × 32.2mm × 33.8mm		
Total Weight			24g		
Application Temperature Range			-10°C ~ +50°C (+14°F ~ +122°F)		
Comments			* * *		



TVID0409-2(φ14)

TVID0409-2(M12)