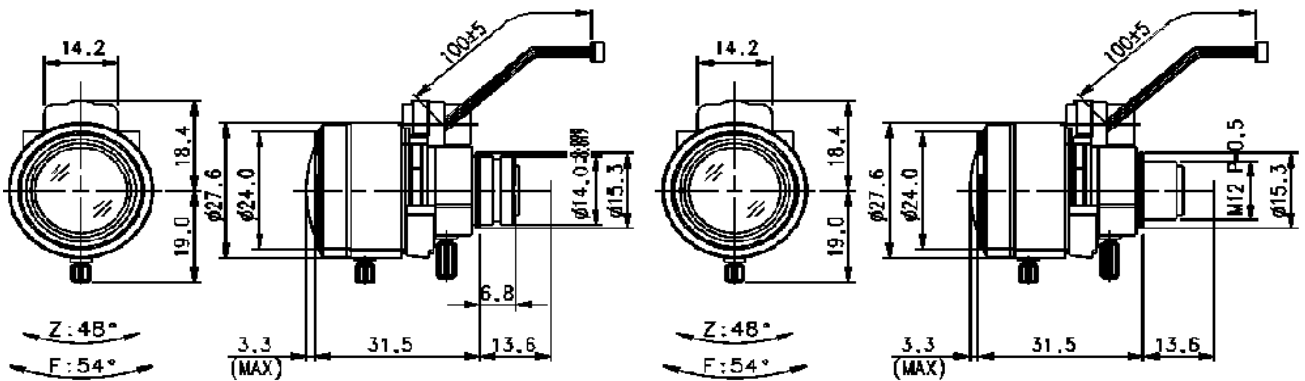


SPECIFICATIONS



TVID0266

Model No.		TVID0266(φ14)		TVID0266(M12)	
Image Format Cover		1/3" ~ 1/4"			
Focal Length		2.6 ~ 6 mm			
Maximum Aperture Ratio		1 : 1.4-2.0			
Zoom Ratio		2.23×			
Iris	Control Method	Direct Drive			
	Iris Range	F1.4(2.0) ~ 360			
	Speed	* * *			
	Input Voltage & Current	* * *			
	Sensitivity Adjustment	* * *			
Focus	Control Method	Manual			
Zoom	Control Method	Manual			
Angle Field of View (D×H×V)	1/4"	Wide	93.8° × 75.3° × 56.6°		
		Tele	45.1° × 36.2° × 27.2°		
	1/3"	Wide	123.2° × 99.8° × 75.3°		
		Tele	59.9° × 48.1° × 36.2°		
Minimum Object Distance		0.2 m			
Back Focal Length		6.0 ~ 10.3 mm			
Effective Diameter	Front	φ 18.5 mm			
	Rear	φ 7.5 mm			
Filter Screw Size		* * *			
Mount / Flange Back		φ 14		M12×0.5	
Mechanical Dimension (D×(H)×L)		φ 27.6mm × 32.2mm × 34.8mm			
Total Weight		24g			
Application Temperature Range		-10°C ~ +50°C (+14°F ~ +122°F)			
Comments		* * *			



TVID0266(φ14)

TVID0266(M12)