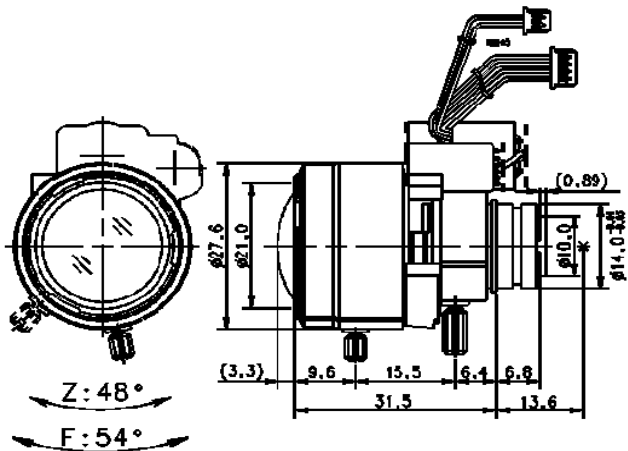


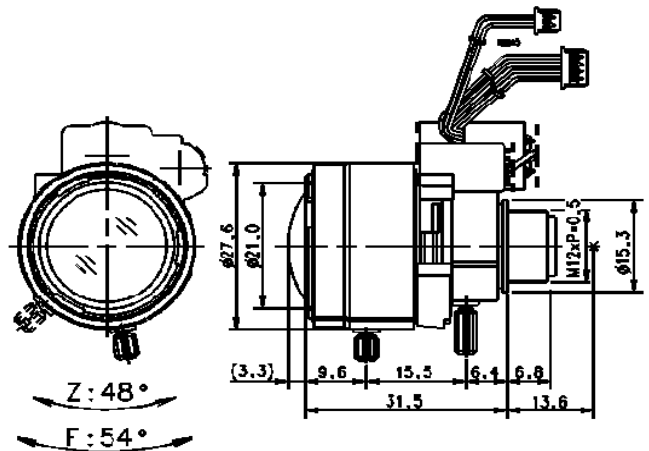
# SPECIFICATIONS



		TVIC0266DN			
Model No.		TVIC0266DN( $\phi$ 14)		TVIC0266DN(M12)	
Image Format Cover		1/3" ~ 1/4"			
Focal Length		2.6 ~ 6 mm			
Maximum Aperture Ratio		1 : 1.4-2.0			
Zoom Ratio		2.23 $\times$			
Iris	Control Method		Direct Drive		
	Iris Range		F1.4(2.0) ~ 360		
	Speed		* * *		
	Input Voltage & Current		* * *		
	Sensitivity Adjustment		* * *		
Focus	Control Method		Manual		
Zoom	Control Method		Manual		
Angle Field of View (D $\times$ H $\times$ V)	1/4"	Wide	93.8 $^{\circ}$ $\times$ 75.3 $^{\circ}$ $\times$ 56.6 $^{\circ}$		
		Tele	45.1 $^{\circ}$ $\times$ 36.2 $^{\circ}$ $\times$ 27.2 $^{\circ}$		
	1/3"	Wide	123.2 $^{\circ}$ $\times$ 99.8 $^{\circ}$ $\times$ 75.3 $^{\circ}$		
		Tele	59.9 $^{\circ}$ $\times$ 48.1 $^{\circ}$ $\times$ 36.2 $^{\circ}$		
Minimum Object Distance		0.2 m			
Back Focal Length		6.0 ~ 10.3 mm			
Effective Diameter		Front	$\phi$ 18.5 mm		
		Rear	$\phi$ 7.5 mm		
Filter Screw Size		* * *			
Mount / Flange Back		$\phi$ 14		M12 $\times$ 0.5	
Mechanical Dimension (D $\times$ (H) $\times$ L)		$\phi$ 27.6mm $\times$ 34.4mm $\times$ 34.8mm			
Total Weight		25g			
Application Temperature Range		-10 $^{\circ}$ C ~ +50 $^{\circ}$ C (+14 $^{\circ}$ F ~ +122 $^{\circ}$ F)			
Comments		Applicable Wavelength : 430nm ~ 850nm			



TVIC0266DN( $\phi$  14)



TVIC0266DN(M12)