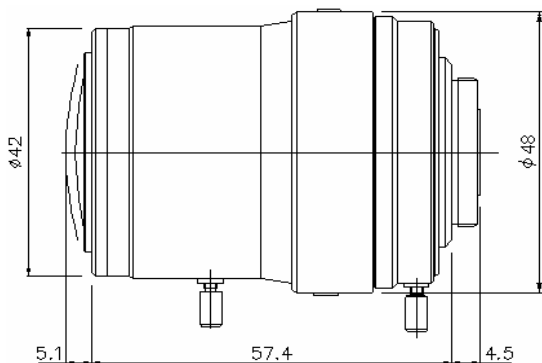


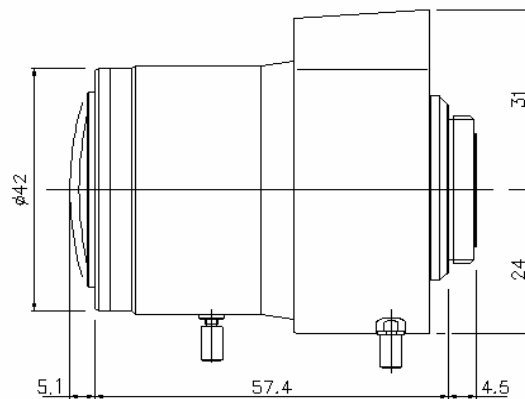
SPECIFICATIONS



HVC*0459M series			
Model No.		HVCH0459M	HVCD0459MJ
Image Format Cover		1/2" ~ 1/4"	
Focal Length		4.5 ~ 9 mm	
Applicable resolution		Megapixel(1/2")	
Maximum Aperture Ratio		1 : 1.6	
Zoom Ratio		2×	
Iris	Control Method	Manual	Direct Drive
	Iris Range	F1.6 ~ Close	F1.6 ~ 360
	Speed	* * *	
	Input Voltage & Current	* * *	
	Sensitivity Adjustment	* * *	
Focus	Control Method	Manual	
Zoom	Control Method	Manual	
Angle Field of View (D×H×V)	1/4"	Wide	55.0° × 44.0° × 33.0°
		Tele	29.7° × 23.8 × 17.9°
	1/3"	Wide	73.4° × 58.7° × 44.0°
		Tele	39.5° × 31.7 × 23.8°
	1/2"	Wide	98.9° × 78.4° × 58.7°
		Tele	52.4° × 42.1° × 31.7°
Minimum Object Distance		0.5 m	
Back Focal Length		13.1 ~ 18.0 mm	
Effective Diameter	Front	φ 30.0 mm	
	Rear	φ 9.3 mm	
Filter Screw Size		* * *	
Mount / Flange Back		C / 17.526mm	
Mechanical Dimension (D×(H)×L)		φ 48mm × 62.5mm	φ 42mm × 55mm × 62.5mm
Total Weight		124g	124.2g
Application Temperature Range		-10°C ~ +50°C (+14°F ~ +122°F)	
Comments			



HVCH0459M



HVCD0459MJ