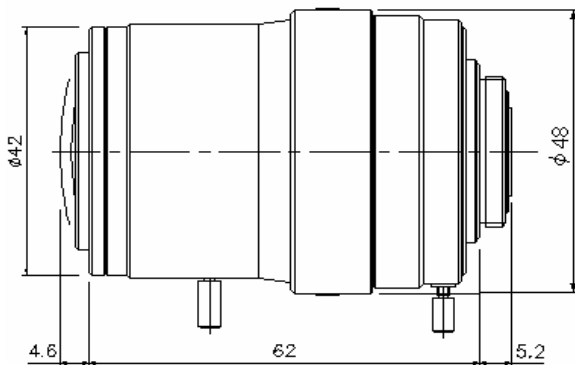


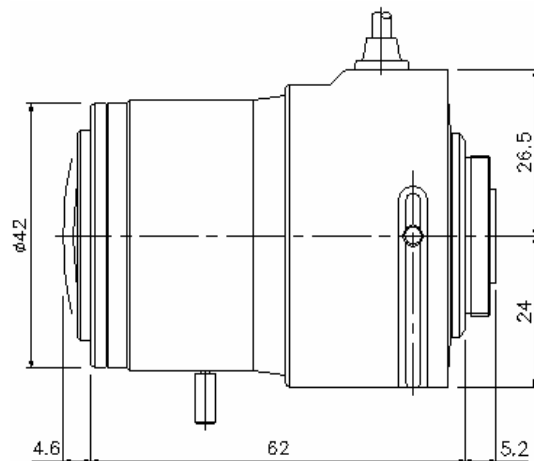
# SPECIFICATIONS



			TVS*2810M series			
Model No.			TVSH2810M IR		TVSD2810M IRJ	
Image Format Cover			1/3" ~ 1/4"			
Focal Length			2.8 ~ 10 mm			
Applicable Resolution			1.4 Megapixel (1/3")			
Maximum Aperture Ratio			1 : 1.4			
Zoom Ratio			3.57×			
Iris	Control Method		Manual		Direct Drive	
	Iris Range		F1.4 ~ Close		F1.4~ 360	
	Speed		* * *			
	Input Voltage & Current		* * *			
	Sensitivity Adjustment		* * *			
Focus	Control Method		Manual			
Zoom	Control Method		Manual			
Angle Field of View (D×H×V)	1/4"	Wide	92.5° × 72.8° × 54.0°			
		Tele	27.2° × 21.8° × 16.4°			
	1/3"	Wide	128.2° × 99.3° × 72.8°			
		Tele	36.3° × 29.1° × 21.8°			
Minimum Object Distance			0.3 m			
Back Focal Length			7.6 ~ 17.1 mm			
Effective Diameter		Front	φ 25.3 mm			
		Rear	φ 7.4 mm			
Filter Screw Size			* * *			
Mount / Flange Back			CS / 12.5mm			
Mechanical Dimension (D×(H)×L)			φ 48mm × 66.6mm		φ 42mm × 50.5mm × 66.6mm	
Total Weight			123g		118g	
Application Temperature Range			-10°C ~ +50°C (+14°F ~ +122°F)			
Comments			Day & Night			



TVSH2810M IR



TVSD2810M IRJ