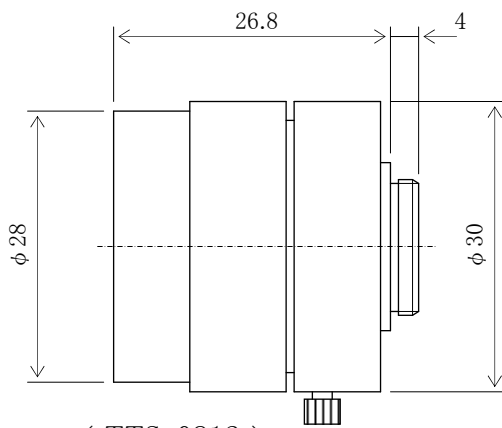


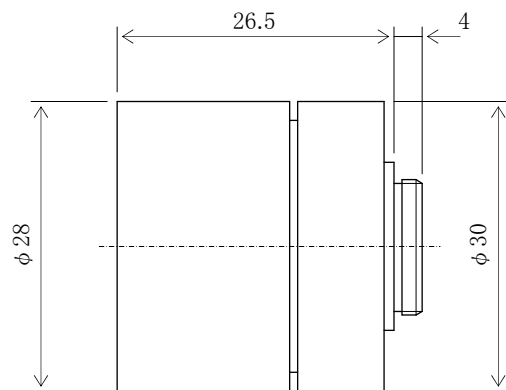
SPECIFICATIONS



			TTS*0812			
Model No.			TTSH0812		TTSN0812	
Image Format Cover			1/3" ~ 1/4"			
Focal Length			8.0 mm			
Maximum Aperture Ratio			1 : 1.2			
Iris	Control Method		Manual		Fixed	
	Iris Range		F1.2 ~ Close		F1.2	
Focus	Control Method		Manual			
Angle Field of View (D×H×V)			1/4"		33.0° × 26.2° × 19.5°	
			1/3"		46.3° × 36.5° × 27.1°	
Minimum Object Distance			0.3 m			
Back Focal Length			9.4 mm			
Effective Diameter			Front		φ 14.0 mm	
			Rear		φ 9.0 mm	
Filter Screw Size			* * *			
Mount / Flange Back			CS / 12.5mm			
Mechanical Dimension (D×L)			φ 30mm × 26.8mm		φ 30mm × 26.5mm	
Total Weight			41.1g		45.0g	
Application Temperature Range			-10°C ~ +50°C (+14°F ~ +122°F)			
Comments						



< TTS*0812 >



< TTS*0812NI >