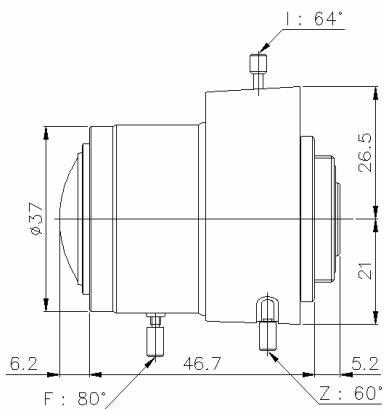


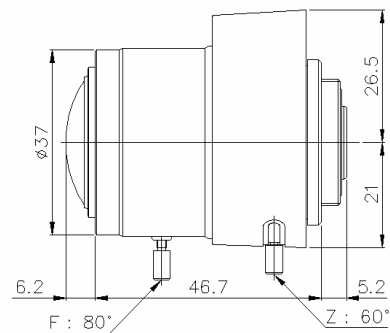
# SPECIFICATIONS



		<b>TVS*2882 IR series</b>	
Model No.		TVSH2882IR	TVSD2882IR/360J
Image Format Cover		1/3" ~ 1/4"	
Focal Length		2.8 ~ 8.2 mm	
Maximum Aperture Ratio		1 : 1.4	
Zoom Ratio		2.93×	
Iris	Control Method	Manual	Direct Drive
	Iris Range	F1.4 ~ Close	F1.4 ~ 360
	Speed	* * *	
	Input Voltage & Current	* * *	
	Sensitivity Adjustment	* * *	
Focus	Control Method	Manual	
Zoom	Control Method	Manual	
Angle Field of View (D×H×V)	1/4"	Wide	93.3° × 73.4° × 54.3°
		Tele	32.7° × 26.1° × 19.6°
	1/3"	Wide	131.6° × 100.3° × 73.4°
		Tele	43.6° × 34.9° × 26.1°
			* * *
			* * *
Minimum Object Distance		0.3 m	
Back Focal Length		7.3 ~ 13.2 mm	
Effective Diameter	Front	φ 24.1 mm	
	Rear	φ 8.4 mm	
Filter Screw Size		* * *	
Mount / Flange Back		CS / 12.5mm	
Mechanical Dimension (D×(H)×L)		φ 37mm × 47.5mm × 52.9mm	φ 37mm × 47.5mm × 52.9mm
Total Weight		53.5g	62.6g
Application Temperature Range		-10°C ~ +50°C (+14°F ~ +122°F)	
Comments		* * *	



TVSH2882IR



TVSD2882IR/360J