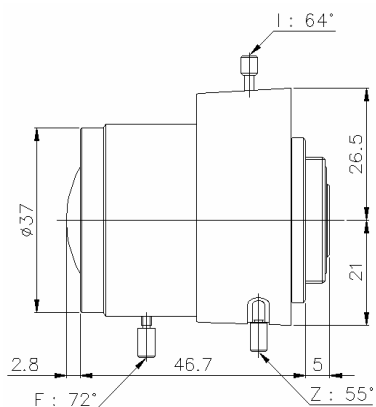


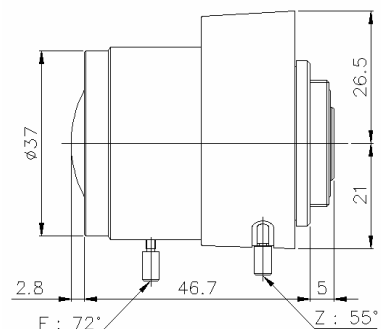
SPECIFICATIONS



		TVS*0308-2 IR series		
Model No.		TVSH0308-2IR		TVSD0308-2IRJ
Image Format Cover		1/3" ~ 1/4"		
Focal Length		3.0 ~ 8.0 mm		
Maximum Aperture Ratio		1 : 1.0		
Zoom Ratio		2.67×		
Iris	Control Method	Manual		Direct Drive
	Iris Range	F1.0 ~ Close		F1.0 ~ 360
	Speed	* * *		
	Input Voltage & Current	* * *		
	Sensitivity Adjustment	* * *		
Focus	Control Method	Manual		
Zoom	Control Method	Manual		
Angle Field of View (D×H×V)	1/4"	Wide	86.3° × 68.1° × 50.5°	
		Tele	33.6° × 26.8° × 20.1°	
	1/3"	Wide	119.6° × 92.5° × 68.1°	
		Tele	44.8° × 35.8° × 26.8°	
			* * *	
			* * *	
Minimum Object Distance		0.3 m		
Back Focal Length		7.5 ~ 13 mm		
Effective Diameter		Front	φ 23.9 mm	
		Rear	φ 8.4 mm	
Filter Screw Size		* * *		
Mount / Flange Back		CS / 12.5mm		
Mechanical Dimension (D×(H)×L)		φ 37mm × 47.5mm × 49.5mm	φ 37mm × 47.5mm × 49.5mm	
Total Weight		54.8g	63.9g	
Application Temperature Range		-10°C ~ +50°C (+14°F ~ +122°F)		
Comments		* * *		



TVSH0308-2IR



TVSD0308-2IRJ