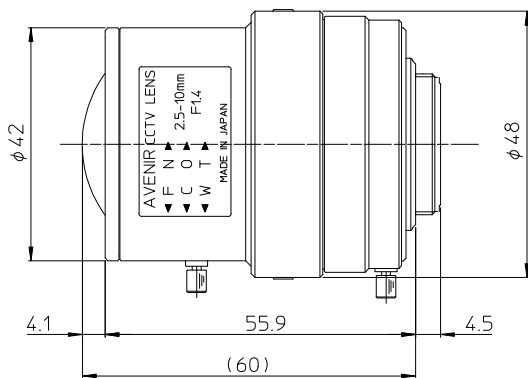


SPECIFICATIONS

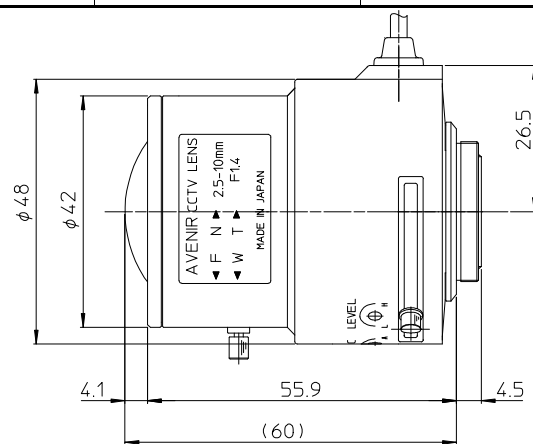


TVS*2510

Model No.	TVSH2510	TVSG2510	TVSD2510J
Image Format Cover	1/3" ~ 1/4"		
Focal Length	2.5 ~ 10 mm		
Maximum Aperture Ratio	1 : 1.4		
Zoom Ratio	4.0×		
Iris	Control Method	Manual	Video Drive Direct Drive
	Iris Range	F1.4 ~ Close	F1.4 ~ 360
	Speed	* * *	Approx. 1.5 sec * * *
	Input Voltage & Current	* * *	DC 8 ~ 16V Max. 30mA * * *
	Sensitivity Adjustment	* * *	0.5 ~ 1.0V _{P-P} * * *
Focus	Control Method: Manual		
Zoom	Control Method: Manual		
Angle Field of View (D×H×V)	1/4"	Wide	99.2° × 79.5° × 59.6°
		Tele	26.6° × 21.3° × 16.0°
	1/3"	Wide	130.9° × 105.8° × 79.5°
		Tele	35.3° × 28.3° × 21.3°
Minimum Object Distance	0.3 m		
Back Focal Length	9.52 ~ 21.05 mm		
Effective Diameter	Front	φ 26.9 mm	
	Rear	φ 8.3 mm	
Filter Screw Size	* * *		
Mount / Flange Back	CS / 12.5mm		
Mechanical Dimension (D×(H)×L)	φ 48mm × 60mm	φ 48mm × 50.5mm × 60mm	
Total Weight	80.8g	80.5g	78.8g
Application Temperature Range	-10°C ~ +50°C (+14°F ~ +122°F)		
Comments			



< TVSH2510 >



< TVSD2510J•TVSG2510 >