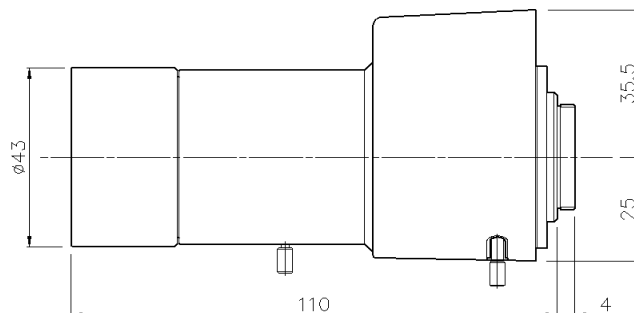


SPECIFICATIONS



TVSD18120J			
Model No.	TVSD18120J		
Image Format Cover	1/3" ~ 1/4"		
Focal Length	18 ~ 120 mm		
Maximum Aperture Ratio	1 : 1.6		
Zoom Ratio	6.6×		
Iris	Control Method	Direct Drive	
	Iris Range	F1.6 ~ 360	
	Speed	* * *	
	Input Voltage & Current	* * *	
	Sensitivity Adjustment	* * *	
Focus	Control Method	Manual	
Zoom	Control Method	Manual	
Angle Field of View (D×H×V)	1/4"	Wide	14.5° × 11.5° × 8.6°
		Tele	2.3° × 1.8° × 1.4°
	1/3"	Wide	19.6° × 15.5° × 11.5°
		Tele	3.1° × 2.5° × 1.8°
Minimum Object Distance			1.5 m
Back Focal Length			10.8 ~ 22.1 mm
Effective Diameter	Front	φ 29.8 mm	
	Rear	φ 15 mm	
Filter Screw Size			M40.5 P=0.5
Mount / Flange Back			CS / 12.5mm
Mechanical Dimension (D×(H)×L)			φ 43mm × 60.5mm × 110mm
Total Weight			232g
Application Temperature Range			-10°C ~ +50°C (+14°F ~ +122°F)
Comments			



TVSD18120J